



Paw Prints

JULY 1985

1st ANNUAL MEET

Sponsored by HAYDOCY PONTIAC

JUNE 9, 1985



BEST OF SHOW
JERRY HAMILTON
ATLANTA, GEORGIA

SECRETARY NOTES

An officer's meeting was held at Bill Barton's house on June 18th to discuss final outcomes of the car show. It was agreed that the show was a definite success despite the rainy weather in the early morning. Thanks to the 60's tunes and a very enthusiastic crowd 41 GTO owners registered their cars to be judged. Also on display in the showroom was a judge owned by Jeff Crunkleton.

The service area took on a new life at Haydocy as fifteen vendors filled the bays with a vast variety of goat parts. A special thanks to Jeff Tillman for his help in seeking vendors. All snacks and pop were donated, so this project was most profitable for the club. We would like to thank Cindy and Corinna Knight, Angie Brunney, and Trina Garrabrant for their help in this particular venture.

Judging took place around 12:00 and final tabulations were completed at 4:10. The winners were then announced and trophies were distributed by our club president, Bill Barton Special. Thanks to a job well done by our eight judges.

Mike Guess
 Rolland Johnson
 Ken Moravek
 Jeff Crunkleton
 Bob Vlaskovich
 Dan Baker
 Mark Zeller
 Chuck Osborn

On behalf of The GTO Association of Central Ohio, I would like to take this opportunity to thank all entrants and workers who participated at the show.

GTO Association of Central Ohio

Officers

President Bill Barton
 3062 Scioto Trace
 Columbus, Ohio 43220
 876-8151

Vice Presidents Nick Anspach
 Box 265
 Jacksontown, Ohio 43030
 246-5145

Jeff Inskeep
 3193 Dublin-Granville Road
 Columbus, Ohio 43229
 891-7821

Treasurer Rob Wilson
 4630 Waterloo N. W.
 Canal Winchester, Ohio 43110
 837-5859

Secretary Karen Wilson

TREASURER'S REPORT

Starting Balance	378.88
Pre-show Registration	400.00
Day of show Registration/Vendors	379.00
New Members Day of show	160.00
Donations	130.00
Food Stand	182.72
Tee Shirts	<u>404.00</u>
Total	2034.60

EXPENSES

Tee Shirts	-520.00
Entertainment	-200.00
Food Supplies	-120.96
Office Supplies	- 21.68
Dash Plaques	-118.00
Checking Charges	- 8.03
Advertising	- 78.16
Printing Costs	-325.00
Misc. Show Expenses	<u>-181.50</u>

Expense Total -1573.14
 Ending Balance 461.20

A club picnic will be held at Rob Wilson's home on Saturday August 10 at 3:00pm. We ask that you bring your own table settings. lawn chairs and either a dessert or covered dish. Bratwurst hot dogs and pop will be provided. Please drive your GTO's so as a picture roster may be compiled at a later date. Any further questions may be directed to Rob at 837-5859. (map enclosed)

Upcoming club events will include a tech session in September, a Halloween party in October election of officers for 1986 in November. and finally the Christmas party in December

For those members who wish to attend the National meet on July 4th weekend please contact Bill Barton at 876-8151 or 460-2173 area code 614 he will be organizing a caravan to Michigan. Also we ask these same members that you wear your club tee shirt with either red slacks or shorts on Saturday July 6th. Anyone who still may not have a tee shirt and would like to purchase one please contact Jeff Inskeep at (614) 891-7821

In the next few months we would like suggestions on possible meeting places. We feel that Jerry's is not quiet nor large enough to hold our monthly meeting anymore. Possible sites mentioned were Plank's Cafe or Schmidt's Sausage Haus Meeting Room.

Please accept our sincere apology for the third place trophy that was incorrectly awarded in the Restored 71-74 class. Although the trophy was awarded, this unfortunate mistake did not effect any other outcomes of the judging since there was only one other entrant in this particular class. Any further questions regarding this matter please phone Neal Blankenship at 459-0352.

Our next club meeting will be held at Jerry's Drive In. 4910 N. High Street. at 7:00 p m on Wednesday July 17.



First Place Factory Original 68-70
Richard Whaley. Lithopolis Ohio

I-270

BOB McDORMAN
CHEVROLET

← TO COLUMBUS

RT-33

TO LANCASTER →

GENDER RD.
GENDER RD.



GROVEPORT RD.

LITHOPOLIS RD.

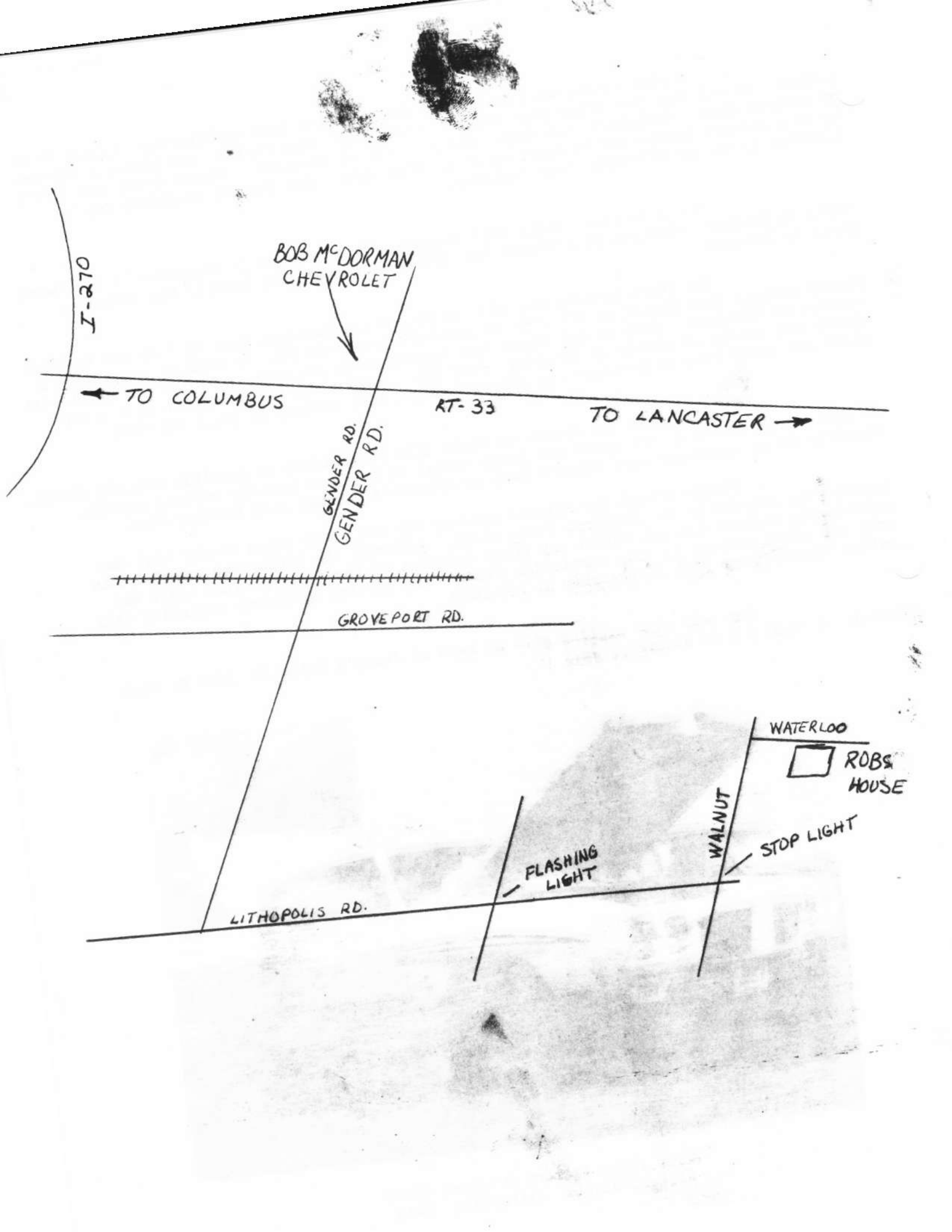
FLASHING LIGHT

WALNUT

STOP LIGHT

WATERLOO

ROBS HOUSE



Pontiac Cylinder Head *Spotter* Round Exhaust Ports

Year	Engine	Casting No.	C.C.	Comment
73-74	455 SD	16	100.7	Great flow, especially on intake (extremely large)
1972	455 HO	7F6	98.0	Good choice on big inch-er
1971	455 HO	191	98.0	same as 1972
1970	400 RA IV	614	62.0	Best of RA IV series
1969	400 RA IV	722	62.0	Greatly improved over 1st design
1968	400 RA II	96	65.0	1st RA IV design

D-Port Exhaust

All heads have screw in studs.
1.77 Exhaust valve size
2.11 Intake valve size

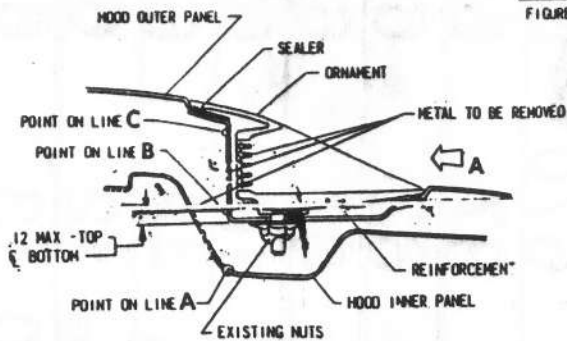
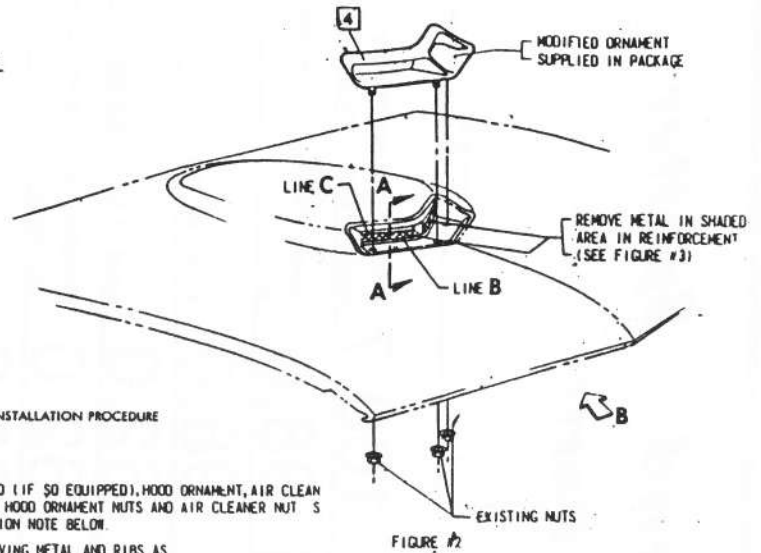
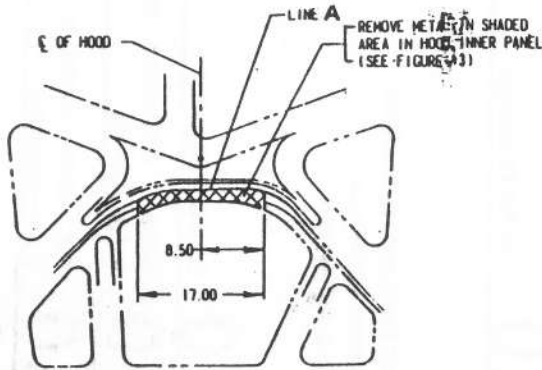
1967	400 RA	670	65.0	Closed chamber
1967	400 RA	97	65.0	Closed Chamber, taller valve springs
1968	400-428	62	65.0	1st open chamber design—plentiful
1968	400 RA	37	65.0	Works well—hard to find
68-69	400 HO 428 HO 400 RA	16	D-port 65.0	Very popular, pretty common
1969	400-428 HO & RA	48	65.0	Very popular. One of the easiest castings to find
1970	Ram Air III 400 HO	12	65.0	Same as above
1970	4bbl-400	13	65.0	Can be found. Not popular, but a good choice
1970	455 HO	64	75.0	Good choice for 400-455
1971	400-4bbl	96	D-port 96.0	Same as 1972
1972	400-4bbl	7 k 3	96.0	Will help on low compression engines

- 1
- 2
- 3
- 4
- 5

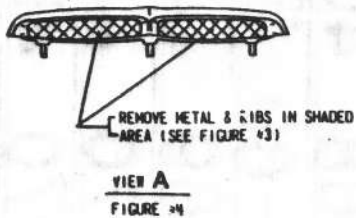
- COVER & FILTER ASSY
- SHROUD & SEAL ASSY
- STUD
- ORNAMENT
- PIPE

- ▲ 10-20 LB. IN
- ▲ 15-20 LB. IN

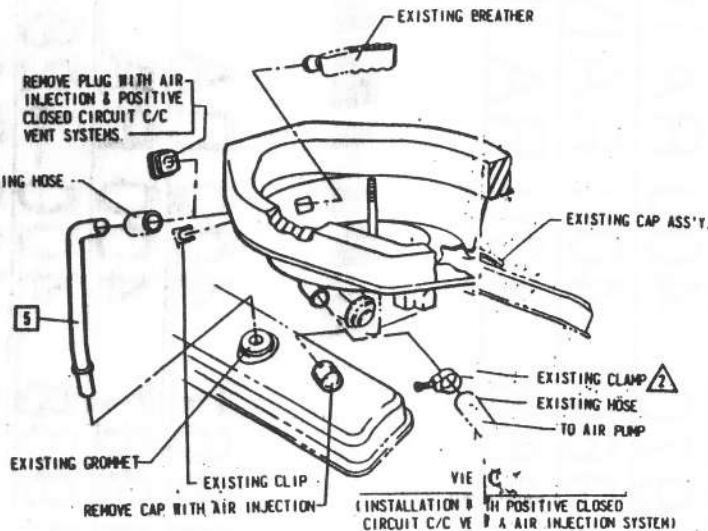
TORQUE SYMBOL IS ADJACENT TO CALLOUT FOR MEMBER TO BE TORQUED.



SECTION A A
FIGURE #3



VIEW A
FIGURE #4



VIEW C
INSTALLATION IN POSITIVE CLOSED CIRCUIT C/C VENT & AIR INJECTION SYSTEM

1965 thru 1967 GTO HOOD RAM AIR BOX INSTALLATION PROCEDURE FOR BOTH PART NUMBERS 530 and 540.

FIGURE #1 PROCEDURE FOR INSTALLING PACKAGE

- STEP #1 REMOVE EXISTING UNDERHOOD PAD (IF SO EQUIPPED), HOOD ORNAMENT, AIR CLEAN AND AIR CLEANER STUD. RETAIN HOOD ORNAMENT NUTS AND AIR CLEANER NUTS FIGURES #2 & #6 AND SEE CAUTION NOTE BELOW.
- STEP #2 MODIFY HOOD ORNAMENT BY REMOVING METAL AND RIBS AS SHOWN (SHADED AREA) IN FIGURES #3 & #4.
- STEP #3 CUT HOOD INNER PANEL ALONG LINE "A" (17 INCHES WIDE) AND REMOVE METAL (SHADED AREA) AS SHOWN IN FIGURES #1 & #3.
- STEP #4 CUT HOOD OPENING REINFORCEMENT ALONG LINES B AND C. SEE FIGURES #2 & #4 FOR AREA TO BE CUT (SHADED AREA).
- STEP #5 AFTER MODIFYING HOOD INNER PANEL, HOOD OPENING REINFORCEMENT AND ORNAMENT INSTALL MODIFIED HOOD ORNAMENT USING EXISTING NUTS AS SHOWN IN FIGURE #2.
- STEP #6 INSTALL SHROUD & SEAL ASS'Y, STUD, AIR CLEANER ELEMENT AND COVER AND EXISTING NUT AS SHOWN IN FIGURE #6.

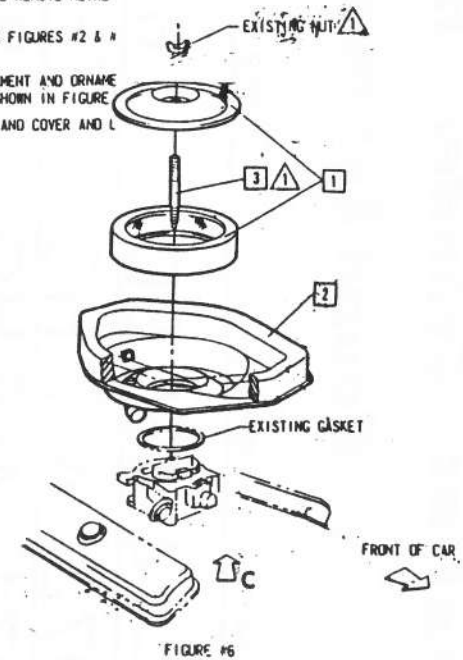


FIGURE #6

JUDGING RESULTS

39

FACTORY ORIGINAL 64-67

- 1-Andy Syrkin Dublin, Ohio
- 2-Richard Cline Newark Ohio
- 3-H.E. Phillips Columbus Ohio

FACTORY ORIGINAL 68-70

- 1-Richard Whaley Lithopolis, Ohio
- 2-Bill Barton Columbus Ohio
- 3-Donna Landis London Ohio
- 3-Tim Benko Elyria Ohio

FACTORY ORIGINAL 71-74

- 1-Barry Wear Columbus Ohio
- 2-Roger Rasawehr Rockford Ohio

RESTORED 64-67

- 1-Tom Hamilton Logan, Ohio
- 2-James Dusz Orient Ohio
- 3-Pete Serio Columbus Ohio

RESTORED 68-70

- 1-Jon Holland Herndon, Ohio
- 1-Tim Benco Elyria, Ohio
- 2-Jeff Toms Fredericktown, Ohio
- 3-Mike Rodonsky Canal Winchester, Ohio

RESTORED 71-74

- 1-Carey Rose Dayton, Ohio

MODIFIED 64-67

- 1-Scott T. Lieber Columbus Ohio
- 2-Tim Pfautsch Reynoldsburg Ohio
- 3-Norman L. Loos Cleveland Ohio

MODIFIED 68-74

- 1-Steve Teal Columbus Ohio
- 2-Patti Clayton New Albany, Ohio

PROJECT 68-74

- 1-Nick Anspach Jacksontown Ohio
- 2-Brady Dutchess Chillicothe Ohio
- 3-Joe Stora Columbus Ohio

SWAP AND SELL

For Sale: Restored rallye I's with red lines and lug nuts all complete \$750.00
72 AM-FM stereo \$55.00

Pete Serio (614) 235-9223 please leave message

For Sale: 68 GTO doors \$100.00 pair
69 GTO 4 speed console black \$75.00
68 GTO Radiator (manual trans.) \$100.00
66 GTO right NOS quarter panel \$350.00
66 GTO right NOS door skin \$150.00
68 GTO disc brake conversion \$125.00
65 GTO grilles with header panel \$75.00

Jeff Inskeep (614) 891-7821



4630 Waterloo N. W.
Canal Winchester, Ohio 43110