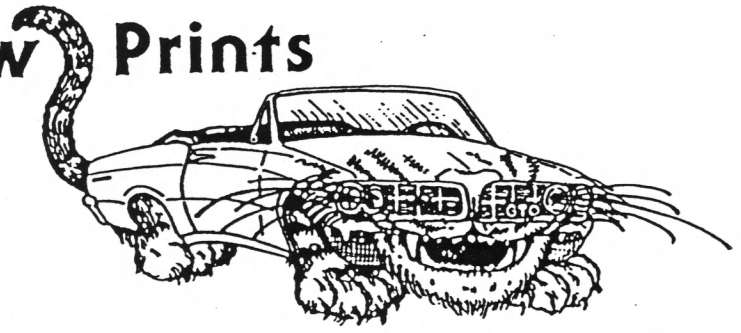




# Paw Prints



A Publication of the GTO Association of Central Ohio

August 1992

TO ALL GTO FANS:

WHERE HAS THE SUMMER GONE. IT'S AUGUST ALREADY AND THE SHOW SEASON IS HALF OVER. I HOPE EVERYONE OUT THERE IS HAVING A NICE SUMMER. I HOPE NEXT YEAR I WILL HAVE MY 71 READY TO SHOW. WITH ANY LUCK I SHOULD HAVE.

THE NEXT CLUB OUTING WILL BE THE CARROLL SHOW, WE HAVE GONE TO THIS SHOW EVERY YEAR FOR THE PAST FEW YEARS AND HAVE HAD OUR GTO'S DO QUITE WELL. THE SHOW IS AUGUST 22, 1992 IN CARROLL OH. WE WILL MEET AT WENDY'S ON RT #33 JUST SOUTH OF GENDER RD. AT 10:00 AM. IF YOU HAVE ANY QUESTIONS PLEASE CALL ME AT 614-927-5302. LET'S HAVE A GOOD TURN OUT.

WE STILL NEED A PLACE TO HAVE OUR ANNUAL PICNIC. IF YOU CAN HOST THIS EVENT PLEASE CALL ME OR COME TO THE NEXT MEETING AND LET US KNOW. WE ALWAYS HAVE A GOOD TIME AT THE PICNIC BUT WE NEED A PLACE TO HAVE IT.

IN THE NEXT FEW MONTHS WE WILL BE TALKING A LOT ABOUT WHAT'S GOING TO BE GOING ON WITH THE CLUB. WE NEED TO GET AS MANY CLUB MEMBERS AT THE MEETING AS WE CAN. WHAT IS TALKED ABOUT IN THE MEETINGS INVOLVES EVERY CLUB MEMBER. WITHIN THE NEXT FEW MONTHS WE HAVE NOMINATIONS FOR OFFICERS SO IF YOU ARE INTERESTED IN AN OFFICE PLEASE COME TO THE MEETING AND LET IT BE KNOWN.

I ONLY RECEIVED A FEW LETTERS FROM PEOPLE WHO WERE AT THE SPRING SHOW SO I GUESS MOST EVERYONE HAD A GOOD TIME AND THINKS WE DO A GOOD JOB. I HOPE SO BECAUSE WE TRY. SEE YOU AT THE MEETING WEDNESDAY NIGHT AT 7:00 PM.

SO LONG FOR NOW



# CONGRATULATIONS

WE WOULD LIKE TO CONGRATULATE FRANK BLOCK FOR WINNING THE GM OPEN 1964-1979 CLASS WITH HIS WHITE 65 GTO CONV. AT THE 10TH ANNUAL CLASSIC AUTO SHOW PUT ON BY THE ARTHRITIS FOUNDATION. HE HAD A LOT OF OTHER CARS TO COMPETE AGAINST. JOB WELL DONE!!

GARY TURNMIRE AND JIM LOKAI RECENTLY WENT TO THE NORTHERN NATIONALS AT DOMINOS FARMS IN MICHIGAN. GARY GOT FIRST PLACE IN HIS CLASS WITH HIS WHITE '67 HARDTOP AND JIM GOT SECOND PLACE IN HIS CLASS WITH HIS YELLOW '65 HARDTOP. THIS EVENT WAS A PARTICIPANT JUDGING EVENT -- CONGRATULATIONS TO GARY AND JIM!!

## CALENDAR

- AUG 12TH REGULAR MEETING  
DENNIS PONTIAC  
2900 MORSE RD.  
COLUMBUS, OH.  
7:00 PM
- 22ND CARROLL CAR SHOW  
CARROLL, OH  
MEET AT WENDY'S  
RT. #33 JUST SOUTH  
GENDER AT 10:00 AM
- SEPT 9TH REGULAR MEETING  
DENNIS PONTIAC  
2900 MORSE RD.  
COLUMBUS, OH.  
7:00 PM
- SEPT 20TH ANNUAL PICNIC  
WILL BE AT THE  
HOME OF RICHARD  
AND NANCY WHALEY  
305 S: MARKET ST.  
LITHOPOLIS, OH.  
1:30 PM WILL EAT  
AROUND 4:30PM  
BRING A COVERD DISH

### GTO Association of Central Ohio 1992 Officers

President	Jim Evans 13791 Cable Road Pataskala, OH 43062 614/927-5302
Vice President	Jeff Inskeep 598 Old Coach Road Westerville, OH 43081 614/891-6679
Secretary	Nancy Whaley 305 S. Market Street Lithopolis, OH 43136 614/837-4372
Treasurer	Richard Whaley 305 S. Market Street Lithopolis, OH 43136 614/837-4372
Directors	Mark Baker - 614/653-4948 Neal Blankenship - 614/459-0352 Andy Syrkin - 614/766-0346

STEVE and LORI AFFOLTER  
52851 ST. RT. 36  
FRESNO, OH 43824  
614-545-9916 H  
614-622-6543 W  
72 FOREST GREEN CP

LONNIE ARNOLD  
302 W. MARION ST.  
MT. VICTORY, OH 43340  
513-354-5029  
65 CAPRI CONV.  
65 BLUE COUPE

LARRY ARTHUR  
930 ADAMS AVE.  
CHILLICOTHE, OH 45601  
614-774-2204 H  
614-772-3874 W  
66 MARINA TURQ. CONV.

MARK EDWARD BAKER  
2280 COONPATH RD. N.W.  
LANCASTER, OH 43130  
614-653-4948 H  
614-836-4235 W  
65 NIGHTWATCH BLUE CP

LARRY and SHEILA BALTZELL  
211 N. OAK ST.  
ROCKFORD, OH 45882  
419-363-3584 H  
65 BLUE CP

SONNY and KAY BARTHLOW  
RT. 1 READING TWP RD. 140  
RUSHVILLE, OH 43150  
614-536-7209 H  
614-653-0311 W  
66 BLACK H/T

BILL and SHARON BARTON  
3062 SCIOTO TRACE  
COLUMBUS, OH 43221  
614-876-0832 H  
614-785-1150 W  
68 AEGENA BLUE H/T

MARK A. BIEHL  
920 LINWOOD DR.  
TROY, OH 45373  
513-339-7502 H  
513-773-1131 W  
69 ORANGE JUDGE

DAVE and JAN BENSON  
9670 ALSPACH  
CANAL WINCHESTER, OH 43110  
614-837-9545 H  
614-875-9010 W  
67 LINDEN GREEN H/T

NEAL BLANKENSHIP  
2763 LEAR RD.  
UPPPER ARLINGTON, OH 43220  
69 GREEN H/T

FRANK and SUE BLOCK  
7711 AFRICA RD.  
WESTERVILLE, OH 43081  
614-882-1773 H  
614-294-3200 W  
65 WHITE CONVERTIBLE

JAMES and DONNA BROWNFIELD  
259 N. BRINKER AVE.  
COLUMBUS, OH 43204  
614-272-2701 H  
614-481-8336 W  
64 SUNFIRE RED H/T

JERRY and DIANA BROWNFIELD  
2611 PARLIN DR.  
GROVE CITY, OH 43123  
614-871-9294 H  
614-481-8336 W  
67 CAMEO IVORY CONVERTIBLE

ROBERT and LORI BURK  
11069 VORIS RD.  
LOGAN, OH 43138  
614-385-7077 H  
614-687-2515 W  
66 NIGHTWATCH BLUE H/T

MIKE and VICTORIA CAMPBELL  
8093 ASH CT.  
CANAL WINCHESTER, OH 43110  
614-837-4338 H  
614-833-1943 W  
64 LT. BLUE COUPE

ESTILL and CATHY ANN CAUDILL  
9275 ALKIRE RD.  
GROVE CITY, OH 43123  
614-878-0898 H  
614-888-6644 W  
66 RED H/T

WILLIAM and SHEILA CHICKICK  
D2-371 WILSON AVE.  
MINGO JUNCTION, OH 43938  
614-282-3345 H  
614-283-5857 W  
67 BURGUNDY H/T

LARRY and SUE DILLARD  
256 CARRY BACK DR.  
PATASKALA, OH 43062  
614-927-3987 H  
65 WHITE H/T

JAMES E. DINGESS  
1210 CARDAMON PL.  
GALLOWAY, OH 43119  
614-870-8112 H  
69 TURQ. H/T, RA IV

RON and TENNA EBBESKOTTE  
8765 MERICLE RD.  
FT. JENNINGS, OH 45844  
419-692-7191 H  
419-238-1010 EXT. 313 W  
69 GREEN H/T

DENNY ERWIN  
6715 RIVERSIDE DR.  
POWELL, OH 43065

RAY and DONNA ESSEX  
5995 WHITECRAIGS CT.  
DUBLIN, OH 43017  
614-766-5858 H  
614-267-0267 W  
66 BARRIER BLUE H/T

JIM and DIANE EVANS  
13791 CABLE RD.  
PATASKALA, OH 43062  
614-927-5302 H  
71 ADRIATIC BLUE H/T

MIKE and PAM FAIELLA  
153 JEFFERSON RD.  
NEWARK, OH 43055  
614-366-3797 H  
614-344-1122 W

JEFF and CHARMAINE FRAZIER  
371 DELAWARE DR.  
WESTERVILLE, OH 43081  
614-899-2557 H  
614-463-7581 W  
66 WHITE H/T

TOM and KAREN FRAZIER  
10451 MCINTOSH RD. SW  
PATASKALA, OH 43062  
614-927-5666 H  
64 SADDLE TAN H/T COUPE

ALAN and JULIE GRAY  
902 ASHCREEK DR.  
CENTERVILLE, OH 45458  
513-434-6112 H  
513-429-9080 W  
65 MOROON H/T

MIKE GRAY  
5029 ST. RT. 41 NW  
WASHINGTON CH, OH 43160  
614-335-5133 H & W  
68 RED CONV, RED H/T  
68 SILVER H/T

DAN GREGORY  
11283 MAIN ST.  
STOUTSVILLE, OH 43154  
614-474-4614 H  
614-395-5197 MOB

BILL and PAT HARTLEY  
59655 WINTERGREEN RD.  
SENECAVILLE, OH 43780  
614-685-6525 H  
614-432-2328 W  
65 CHARCOAL BLUE CONV

BOB and SANDY HATFIELD  
824 CHESTERSHIRE RD.  
COLUMBUS, OH 43204  
614-279-7007 H  
614-274-6216 W  
65 MIDNIGHT BLUE CONV

KEN and CHRIS HOGAN  
400 HILLTOP DR.  
PICKERINGTON, OH 43147

JONATHAN and MARY HOLLAND  
2749 WOODFORD RD.  
SPRINGFIELD, OH 45503  
513-399-8111 H  
513-239-2957 W  
70 BLUE H/T

JOHN and MARIANN HOLMAN  
8332 LICKING TRAILS  
THORNVILLE, OH 43076  
614-323-0755 H  
614-928-0465 W  
67 PLUM MIST H/T

JEFFREY and LYNN INSKEEP  
598 OLD COACH RD.  
WESTERVILLE, OH 43081  
614-891-6679 H  
65 GOLD H/T

KEVIN JOHNSTON  
222 FRANCONIA AVE.  
MARION, OH 43302  
614-382-3050 H  
614-382-5781 W  
69 SILVER H/T

LONNIE KENDRICH  
36 N. 2ed ST.  
OSTRANDER, OH 43061  
614-666-2100 H  
65 BURGUNDY H/T

RON and DONNA LANDIS  
58 ARLINGTON AVE.  
LONDON, OH 43140  
614-852-1742 H  
614-852-2062 W  
72 SILVER H/T

JON and VICKIE LEFFLER  
2251 STARLEAF LANE  
WORTHINGTON, OH 43235  
614-766-0971 H  
614-764-9555 W  
65 DARK BLUE H/T

JAMES and MOLLY LOKAI  
2459 BARGER RD.  
URBANA, OH 43078  
513-653-7917 H  
64 AQUA H/T, 67 BLUE H/T  
65 YELLOW H/T

TOM and JEANETTE LOSEKAMP  
10411 FARMLAND DR.  
HARRISON, OH 45030  
513-367-0631 H  
513-367-2522 W  
67 TYROL BLUE H/T  
67 BLUE CONV

JAMES and LINDA LOWRY  
2667 ST. PATRICK RD.  
COLUMBUS, OH 43204  
614-274-0402 H  
614-868-8400 W  
65 RED H/T

GEOFFREY and PAT LUDWIG  
7475 RODEBAUGH RD.  
REYNOLDBURG, OH 43068  
614-863-4354 H  
614-860-4354 W  
65 YELLOW CONV

KEN MORAVEK  
6800 NEFF RD.  
MEDINA, OH 44256  
216-667-2686 H  
64 MARIMBA RED CONV.  
64 GRENADIER RED H/T

JIM MOREHEAD  
540 SHERWOOD DR.  
MANSFIELD, OH 44904  
419-756-5670 H  
419-756-1290 W  
65 BLACK H/T  
65 BLUE H/T  
65 BURGUNDY H/T  
64 BLUE CONV.

CHRIS and MARY MORGAN  
1445 FAHLANDER DR. S.  
COLUMBUS, OH 43229  
614-888-0195 H  
70 SIERRA YELLOW CONV.

TIM and BEV PFAUTSCH  
6488 BLACKHAW DR.  
REYNOLDSBURG, OH 43068  
614-866-8036 H  
614-239-5961 W  
64 BLUE H/T

RAY and CAROL PIERCE  
4875 S. ST. RT. 555  
CHESTERVILLE, OH 43728  
614-554-7292 H  
66 H/T

TOD and CARIE RICHARDS  
107 N. BLANCHARD ST.  
FINDLAY, OH 45840  
419-423-7414 H  
419-423-1321 EXT 3377  
74 BLACK H/T

JEFFREY and NADINE RUFFER  
4875 LANGTON RD.  
HILLIARD, OH 43026  
614-771-6788 H  
64 RED H/T, 67 BLUE CONV.

ANDREW and JOYCE RUSSELL  
5082 RUTHERFORD RD.  
POWELL, OH 43065  
614-881-5272 H  
614-466-2932 W  
64 BLUE CONV.

GUY and CATHERINE SAWYER  
1709 STYER DR.  
NEW CARLISLE, OH 45344  
513-849-0682 H  
513-257-3003 W  
70 WHITE JUDGE

BRUCE and DEBBIE SCOTT  
66 LYNETTE DR.  
PICKERINGTON, OH 43147  
614-837-2011 H  
65 CAPRI GOLD H/T

KEITH SEE  
8246 N. ST. RT. 60 NW  
McCONNELSVILLE, OH 43756  
614-962-3409 H  
72 RED H/T

DOUG and HELEN SMITH  
5895 WATKINS RD. SW  
PATASKALA, OH 43062  
614-927-0942 H  
614-927-0000 W  
65 PALMETTO GREEN H/T  
65 IRIS MIST H/T  
65 BURGUNDY H/T

WILLIAM and NORMA SMITH  
1730 SIMPSON DR.  
COLUMBUS, OH 43227  
614-864-1769 H  
614-882-7400 W  
70 GOLD H/T

JEFF and ROBIN STEWARD  
1017 SMITH RD.  
COLUMBUS, OH 43207  
68 BLUE COUPE

GENE and NANCY STONE  
192 CULLMAN RD.  
COLUMBUS, OH 43207  
614-491-3152 H  
65 BURGUNDY H/T  
65 BLUE H/T

ANDY SYRKIN  
6223 MEMORIAL DR.  
DUBLIN, OH 43017  
614-766-0346 H  
614-766-0011 W  
65 BLACK CONV.  
66 (THE LEGEND)

STEPHEN A. TEN EYCK  
1134 DEARTH RD.  
KINGSTON, OH 45644  
614-655-2769 H  
70 SILVER H/T  
67 MARGON CONV.

KRIS and KATHY TEN EYCK  
93 MASON AVE.  
DELAWARE, OH 43015  
614-363-4608 H  
614-369-6777 W  
68 GREEN H/T  
68 GREEN CONV.  
66 GOLD H/T

GARY and MARGARET TURNMIRE  
2058 W. DALLAS RD.  
URBANA, OH 43078  
513-484-3265 H  
67 WHITE H/T

DAVID ULSH  
13573 U.S. HWY 36  
MARYSVILLE, OH 43040  
513-642-2958 H  
70 H/T

HERB and KATHY VEACH  
6940 COONPATH RD. NW  
CARROLL, OH 43112  
614-756-4404 H  
614-878-7075 W  
69 RED H/T

STEPHEN D. WARD  
203 STURBRIDGE RD.  
COLUMBUS, OH 43228  
614-878-1615 H  
614-481-8074 W  
68 DARK BLUE H/T

BARRY WEAR  
2098 GUILFORD  
COLUMBUS, OH 43221  
614-488-3057 H  
614-294-3329 W  
72 GREEN H/T

RONALD and ANNETTE WEBER  
423 S. EAST ST.  
BETHEL, OH 45106  
70 BLACK JUDGE H/T

RICHARD and NANCY WHALEY  
305 S. MARKET ST.  
LITHOPOLIS, OH 43136  
614-837-4372 H  
614-846-5420 W  
70 WHITE JUDGE H/T  
73 BLACK H/T  
74 BLACK H/T

DAVE and KATHY WICKLINE  
15361 HILLVIEW RD.  
MARYSVILLE, OH 43040  
513-642-2458 H  
614-431-7969 W  
67 CONV., 67 H/T

BERNIE and KATHLEEN WILKINSON  
646 POLYANNA DR.  
DELAWARE, OH 43015  
614-369-6266 H  
614-927-5302 W  
65 CAPRI GOLD H/T

ROBERT and SHERRY WILLIAMS  
999 S. REMINGTON RD.  
COLUMBUS, OH 43209  
614-231-0497 H  
614-365-5347 W  
64 CASTILLIAN BRONZE H/T

Don't miss the annual

# GTOACO PICNIC

Sunday, September 20, 1992  
1:30 P.M.

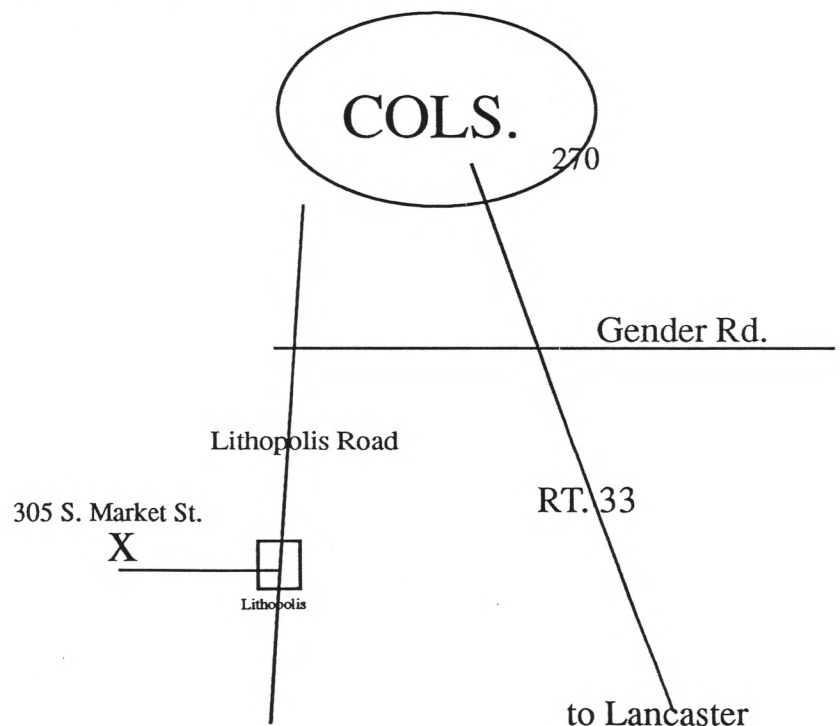
at

Richard and Nancy Whaley's  
305 S. Market Street  
Lithopolis, Ohio

R.S.V.P.  
614/837-4372 or  
837-4416

Bring a covered dish, place settings and lawn chairs.  
Club will provide meat and drinks.

Good Food  
GTO's  
Fun  
Volleyball



CRUISIN "92"

- AUG. 22ND  
CRUISIN '92 (REG \$1)  
99 W. SCHROCK RD. (6-10PM)  
WESTERVILLE, OH  
CALL MIKE 614-436-9752
- NOSTALGIC 90'S SHOW/CRUISE  
FAIRGROUNDS & COLISEUM (REG 9-2)  
MARION, OH  
CALL 614-389-4909
- AUG. 22ND & 23RD  
8TH ANNUAL TRANS AM NATIONALS  
DAYTON AIRPORT  
REG. SAT 9-5 / SUN 9-NOON  
PRE ENTRY PACK \$25. DOS \$12.  
DAYTON, OH  
CALL DIANA 513-372-7708
- AUG. 23RD  
SOLID GOLD SUNDAY CRUISE  
DOWNTOWN DELAWARE (SHOW 12-3)  
REG. 10-NOON \$4.  
DELAWARE, OH  
CALL RANDY 614-363-3077
- "RUN WHAT YOU BRUNG" SHOW  
PACEMAKERS DRAG STRIP  
\$4.-\$6.-\$8. OPEN 10AM  
RT 3 & 36 MT. VERNON, OH  
CALL HARLAN 614-694-9684
- AUG. 29TH  
MID OHIO MOPAR CLUB/  
BURGER KING CRUISE  
6063 SUNBURY RD.  
RT 161 & SUNBURY RD.  
REG. 6-8:30PM \$2.  
WESTERVILLE, OH  
CALL KEVIN 614-882-2373
- END OF SUMMER TENT PARTY  
SCHMIDT'S  
6800 SCHROCK HILL COURT  
4-10PM REG. \$5.  
CALL ANDY 614-444-5908
- AUG. 29TH & 30TH  
1ST ANNUAL CRUISE & CORVETTE  
SHOW  
BYERS HOLIDAY CHEV. DEALERSHIP  
DUBLIN, OH  
CALL RON 614-898-3885
- AUG. 30TH  
CRUISIN CAR SHOW  
1615 MARION MT. GILEAD RD  
REG NOON -2PM \$4.  
MARION, OH  
CALL 614-383-1489
- SEPT. 5TH  
CRUISE IN (6-8PM FREE REG.)  
1331 DELAWARE AVE. (GOODYEAR)  
MARION, OH  
CALL DAVE 614-383-1489
- CRUISING 50'S STYLE (7PM-???)  
HUNTERS RIDGE MALL  
I-270 & HAMILTON RD.  
GAHANNA, OH
- LABOR DAY WEEKEND CAR SHOW  
REG. 9-1 \$5.  
RT. 62  
JOHNSTOWN, OH  
CALL MARK 614-892-2745
- SATURDAY NITE CRUISE (FREE)  
1898 BRICE RD. (6-10PM)  
REYNOLDSBURG, OH

# MEMBER PROFILE

## JIM LOKAI

JIM BOUGHT HIS FIRST GTO IN 1967 AFTER HE GOT HOME FROM THE SERVICE. IT WAS A 1964, 389 TRI-POWER, 4-SPEED AND DROVE IT FOR FIVE YEARS. IN 1980 JIM LOOKED FOR ANOTHER 1964 BUT COULDN'T FIND ONE SO IN 1985 HE BOUGHT A '65 AND FOUND A '64 SHORTLY AFTERWARD. THEN HE GOT INTERESTED IN COLLECTING ALL THE EARLY MODEL YEARS. NOW JIM HAS A COLLECTION OF GTO'S IN ALL CONDITIONS, HE HAS RESTORED A '64, '65, AND A '67. HE IS CURRENTLY WORKING ON A 1964 CONVERTIBLE. JIM LIVES WITH HIS WIFE MOLLY AND DAUGHTER ERIN IN URBANA, OHIO



GTOACO MEETING MINUTES 7-8-92

MEETING WAS CALLED TO ORDER BY PRESIDENT, JIM EVANS.  
TREASURER'S REPORT GIVEN BY JIM EVANS.

THOSE IN ATTENDANCE WERE: GARY & MARGARET TURNMIRE, JIM LOKAI, JIM EVANS, BILL BARTON, DAVE BENSON, JIM LOWRY, & BILL HARTLEY.

MOST OF THE OLD BUSINESS DISCUSSED WAS THE 1992 ALL PONTIAC SHOW. JIM EVANS STATED THAT HE HAD ONE COMPLAINT ON THE JUDGING BY A GENTLEMAN FROM PENNSYLVANIA. JIM HAS SENT THE SHOW RESULTS TO ALL PARTICIPANTS (THERE IS ALSO A COPY IN THE CURRENT PAW PRINTS). JIM DISCUSSED TWO LETTERS HE HAD RECEIVED AFTER THE SHOW FROM PARTICIPANTS. ONE SUGGESTED THAT A JUDGING PERSON BE STATIONED AT THE REGISTRATION TABLE TO ASSIST IN PLACEMENT AND ANSWER QUESTIONS. DAVE BENSON & OTHERS VOLUNTEERED TO DO THIS IN 1993. TWO SECOND PLACE TROPHIES ARE YET TO BE CLAIMED AND WILL BE MAILED TO THE WINNERS. DAVE BENSON GAVE SOME OBSERVATIONS OF THE 1992 SHOW AND SUGGESTIONS FOR 1993. THESE WILL BE AVAILABLE TO THE 1993 SHOW STAFF.

NANCY WHALEY WAS COMMENDED FOR THE FINE JOB SHE DID ON BUYING ALL THE DOOR PRIZES; A LOT OF WORK WENT INTO THIS PROJECT.

TRAILER PARKING WAS DISCUSSED AND BILL BARTON SUGGESTED WE SEND THANK-YOU LETTERS TO AARON FURNITURE FOR PROVIDING SPACE. A THANK-YOU LETTER WILL ALSO GO TO EVERYONE AT DENNIS PONTIAC FOR THEIR FINE HOSPITALITY.

JIM EVANS PASSED AROUND PHOTOS THAT HE TOOK OF ALL CLUB MEMBERS WHO SHOWED CARS. THESE PHOTOS WILL APPEAR IN THE PAW PRINTS. (JIM DOES ALL THE PHOTO WORK AT CLUB EVENTS OUT OF HIS OWN POCKET, THANK HIM WHEN YOU SEE HIM).

THE ARTHRITIS FOUNDATION SHOW AT STOUFFERS INN WAS DISCUSSED. A TWO PAGE FLIER WAS IN JUNE'S PAW PRINTS. JUDGES ARE NEEDED AND ALL CLUB MEMBERS ARE ENCOURAGED TO ATTEND.

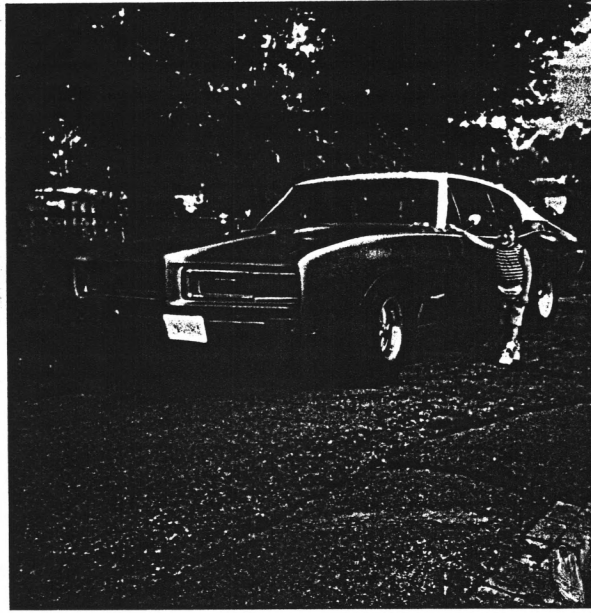
THE GTOACO PICNIC DATE HAS BEEN SET FOR SUNDAY, SEPTEMBER 20TH. IF YOU WOULD LIKE TO HOST THIS EVENT CONTACT JIM. IF NO ONE COMES FORTH, THE SITE WILL BE SELECTED AT THE AUGUST MEETING.

UNDER NEW BUSINESS, BILL BARTON SUGGESTED THAT THE CLUB BUY A PROJECT CAR. AFTER THE COST WAS DISCUSSED, BILL MOVED THAT THE CLUB SPONSOR TECH SESSIONS USING CLUB MEMBERS' CARS THAT NEED SPECIFIC WORK, I.E. BRAKES, REAR-END REBUILD. THESE SESSIONS WOULD BE HELD AT THE MEMBERS' HOUSE AND BE ASIDE FROM THE REGULAR MEETING. JIM LOWRY SECOND - MOTION PASSED. ANYONE INTERESTED IN GETTING THEIR CAR INVOLVED, CONTACT JIM EVANS. 927-5302

A DISCUSSION OF THE NATIONAL MEET WAS HELD, SEVERAL CLUB MEMBERS ATTENDED: WHALEY'S, LOKAI'S, TURNMIRE'S, SYRKIN, BALTZELL'S. MOTION TO ADJOURN WAS MADE BY JIM LOKAI, SECOND BY BILL BARTON.

MINUTES SUBMITTED BY DAVE BENSON. THANKS DAVE!!





JEFF STEWARD'S BLUE 68 GTO H/T  
JEFF HAD TO LEAVE EARLY THE DAY  
OF OUR SHOW SO HIS PICTURE WAS  
NOT TAKEN AT THE SHOW. STANDING  
BESIDE JEFF'S GTO IS HIS SON  
ZACH

SURVEY RESULTS ON THE THREE QUESTIONS AT THE 8TH ANNUAL  
INDIAN UPRISING. ONLY 16 SURVEY'S WERE TURNED IN.

\_8\_YES \_7\_NO \_1\_? POINT SYSTEM TO AWARD MEMBERS FOR  
ATTENDING CLUB FUNCTIONS?

\_11\_YES \_5\_NO WINNERS CIRCLE AT THE SPRING SHOW?

\_12\_YES \_4\_NO EXTRA MILEAGE POINTS FOR ORIGINAL  
GTO'S

GTOACO MEMBER OWNED BUSINESS'S

614)335-5133

PROMPT  
PROFESSIONAL  
SERVICE

**Refrigeration Specialists**

- COMMERCIAL • HEATING • AIR CONDITIONING
- COMMERCIAL REFRIGERATION •

MICHAEL D. GRAY  
Owner

5029 ST. RT. 41 NW  
WASHINGTON, C. H., OHIO 43160



Five generations of line printing

**Inskeep  
Brothers, Inc.  
Printers**

Jeffrey K. Inskeep

3193 E. Dublin-Granville Road  
Columbus, Ohio 43231  
614/898-6620

Plant  
1212 E. Hudson Street  
Columbus, Ohio 43211

(614) 474-4614  
Call for an Appointment

Rust Free Parts and Cars  
Bought and Sold



**PARTS**

DAN GREGORY

11283 Main Street  
Stoutsville, Ohio 43154

A FULL-SERVICE AGENCY



**INSURANCE AGENCY**

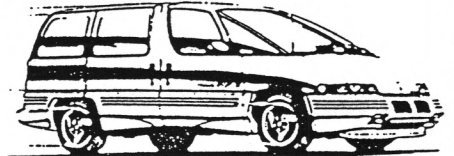
RICHARD L. WHALEY  
NANCY A. WHALEY

25 E. COLUMBUS ST.  
LITHOPOLIS, OHIO 43136

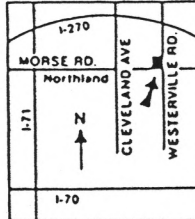
PHONE  
614/837-4416

**DENNIS**  
PONTIAC

- SALES
- SERVICE
- PARTS • LEASING
- BODY SHOP



*Mr. Goodwrench*



**471-2900**

2900 MORSE RD.



**Paw Prints**

Jim Evans  
13791 Cable Road  
Pataskala, OH 43062  
614/927-5302

GTOACO MEETING  
AUGUST 12, 1992

1	Mark E Baker	22	
2	Jim Lowry	23	
3	Jim Watts	24	
4	Kae M. Gubert	25	
5	Frank Block	26	
6		27	
7		28	
8		29	
9		30	
10		31	
11		32	
12		33	
13		34	
14		35	
15		36	
16		37	
17		38	
18		39	
19		40	
20		41	
21		42	

STAFF MEETING  
AUGUST 15, 1952

Miss F. Baker  
John F. Kennedy  
Mr. [unclear]  
Mr. [unclear]  
Mr. [unclear]