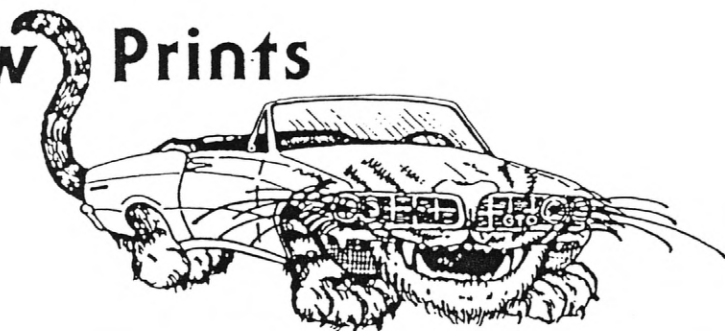


# Paw Prints



A Publication of the GTO Association of Central Ohio

September 1992

TO ALL MY GTO FRIENDS,

WELL IT SEEMS LIKE SUMMER JUST BEGAN BUT IT'S ALMOST OVER FOR 1992. IT IS JUST ABOUT TIME TO PUT THOSE OLD GOATS AWAY FOR ANOTHER WINTER NAP. I HOPE EVERYONE HAD A GREAT SUMMER. I DIDN'T GET TO SEE A LOT OF YOU EXCEPT FOR THE SPRING SHOW. HOPEFULLY NEXT YEAR I WILL HAVE MY 71 FINISHED AND I'LL BE ABLE TO GET OUT MORE OFTEN.

WE WENT TO THE CARROLL SHOW A COUPLE WEEKS AGO. THOSE WHO ATTENDED WERE FRANK & SUE BLOCK WITH THEIR 64 CONVERTIBLE, TOM & KAREN FRAZIER WITH THEIR 64 HARDTOP, GENE & NANCY STONE WITH THEIR 65 HARDTOP, NANCY WHALEY WITH HER 73 HARDTOP, AND RICHARD WHALEY WITH HIS 70 JUDGE. DAVE AND JAN BENSON WERE ALSO THERE HELPING WITH THE SHOW. THE CLUB DID REAL WELL WITH THE GOLD. NANCY WHALEY TOOK A FIRST IN HER CLASS, GENE & NANCY STONE TOOK A SECOND AND RICHARD WHALEY GOT A THIRD IN HIS CLASS - CONGRATULATIONS! THE CLUB GAVE A TROPHY OUT TO THE BEST PONTIAC. EVERYONE DID NOT AGREE, BUT WE DECIDED TO GIVE THE TROPHY TO A WHITE 60 PONTIAC 4-DOOR HARDTOP OWNED BY JAMES LEMASTER FROM CIRCLEVILLE, OHIO. NEEDLESS TO SAY HE WAS PLEASANTLY SURPRISED.

THE NEXT FEW MEETINGS WILL BE VERY IMPORTANT SO WE NEED TO GET AS MANY MEMBERS TO THEM AS WE CAN. NEXT MONTH WE WILL BE HAVING NOMINATIONS FOR OFFICERS, WE ALSO NEED TO TALK ABOUT WHAT WE CAN DO TO GET MORE MEMBERS TO THE MEETINGS. IF WE NEED TO CHANGE THINGS WE CAN DO IT. IF YOU CAN'T COME TO THE MEETING CALL ME AND LET ME KNOW WHY. IF YOU HAVE ANY IDEAS PLEASE CALL AND I'LL BRING IT UP AT THE NEXT MEETING. WE NEED YOUR INPUT. CALL ME AT 927-5302.....

KEVIN JOHNSTON HAS OFFERED TO HAVE A TECH SESSION ON REBUILDING A 12-BOLT REAR END. THERE IS NO DATE OR DETAILS WORKED OUT YET BUT IF YOU WOULD BE INTERESTED IN ATTENDING PLEASE LET ME KNOW.

DON'T FORGET THE CLUB PICNIC IS THIS SUNDAY, SEPTEMBER 20TH AT THE WHALEYS AT 1:30PM. BRING A COVERED DISH, LAWN CHAIRS, AND PLATES, UTENSILS, ETC. COME AND HAVE A GOOD TIME. HOPE TO SEE EVERYONE THERE. IF YOU ARE PLANNING TO ATTEND PLEASE CALL NANCY AT 837-4372 OR 837-4416.

SO LONG FOR NOW;



WANTED - 1967 GTO CONVERTIBLE WITH 4-SPEED. CALL CHUCK SPURGEAR AT 366-7782.

GTO Association of Central Ohio  
1992 Officers

President	Jim Evans 13791 Cable Road Pataskala, OH 43062 614/927-5302
Vice President	Jeff Inskip 598 Old Coach Road Westerville, OH 43081 614/891-6679
Secretary	Nancy Whaley 305 S. Market Street Lithopolis, OH 43136 614/837-4372
Treasurer	Richard Whaley 305 S. Market Street Lithopolis, OH 43136 614/837-4372
Directors	Mark Baker - 614/653-4948 Neal Blankenship - 614/459-0352 Andy Syrkin - 614/766-0346

CALENDAR

Sept. 20	GTOACO Picnic 1:30 p.m. see enclosure
Oct. 14	Regular Meeting Dennis Pontiac 7:00 p.m. Nomination of Officers

Don't miss the annual

# GTOACO PICNIC

Sunday, September 20, 1992

1:30 P.M.

at

Richard and Nancy Whaley's  
305 S. Market Street  
Lithopolis, Ohio

R.S.V.P.

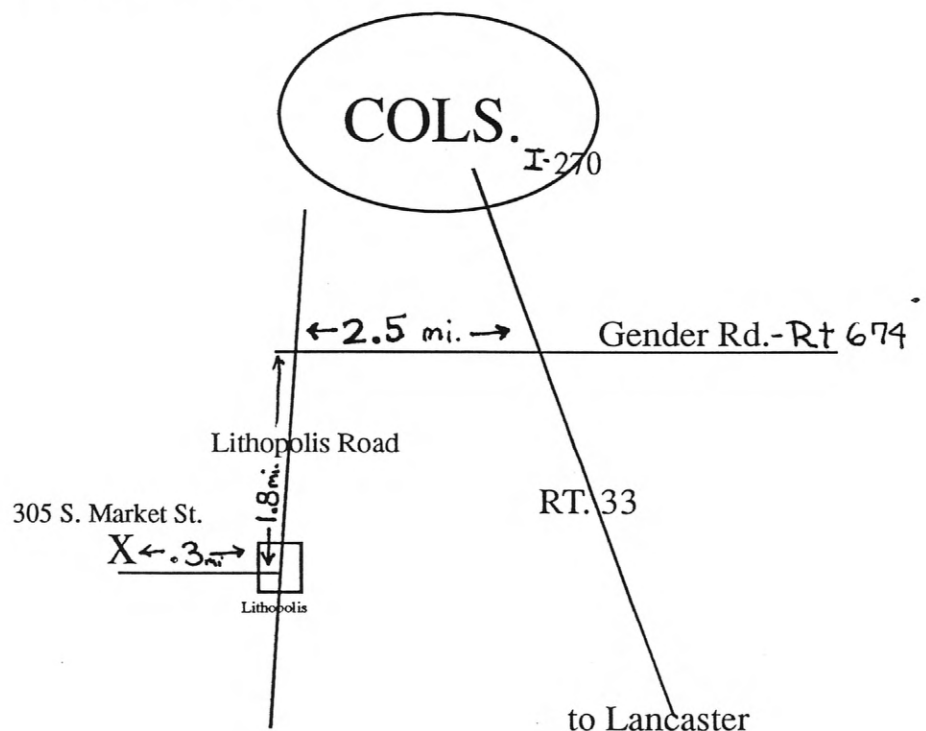
614/837-4372 or

837-4416

Bring a covered dish, place settings and lawn chairs.

Club will provide meat and drinks.

Good Food  
GTO's  
Fun  
Volleyball





# Fame! Fortune! Photos!



**Official Entry Form & Rules On Back**

## Enter the First Annual High Performance Pontiac Magazine Photo Contest ...And Earn Money For Your Chapter!

**That's Right! The First Annual High Performance Pontiac Magazine Photo Contest gives you the opportunity to win nearly \$300 in cash & prizes, PLUS, earn money for your Chapter's treasury!**

**Who can enter?** Anyone, regardless of club affiliation, can enter up to three photos of their favorite Pontiac or Pontiac-related items (an emblem, Pontiac racing action, an unusual Pontiac part, or whatever!) It is not necessary that you be a subscriber to HPP.

**Simple to enter!** Just fill out and sign the entry form on the backside of this flyer and clip it out. Send it along with your favorite Pontiac-related photo to the address provided. With each entry, be sure to include a \$5.00 entry fee. (Photocopies of the entry form are acceptable, but remember to use only one form per photo!)

**Winning photos will be published in a future edition of HPP.** Display of all entries and judging for this national contest will occur during the Western Region POCI Convention "Pontiac Legends at London Bridge," hosted by the Arizona Chapter of the Pontiac-Oakland Club, in Lake Havasu City, Arizona. Winners will be announced the evening of Saturday, October 31st, 1992.

**Your Chapter will earn money!** By using the specially-marked entry form on back, your Chapter's treasury will be rebated 50¢ for each photo entry received. Don't delay! Deadline for mail-in entries is October 15, 1992. Your chance for fame and fortune from your photos awaits!

**OFFICIAL RULES**

**The First Annual  
HIGH PERFORMANCE PONTIAC  
PHOTO CONTEST**

Held in conjunction with the 9th  
Annual Western Region POCI  
Convention

"Pontiac Legends at London Bridge"  
October 30-31, 1992

Hosted by the Arizona Chapter,  
Pontiac-Oakland Club, International

Use only one form per entry (photo-  
copies of this form are acceptable)  
Limit three (3) entries per person.  
**ENCLOSE \$5.00 WITH EACH ENTRY**

Entries must be postmarked  
by October 15, 1992

**Required Information**

I have read, understood and agree to the rules. (Signature req'd)

**X**

Name (Please Print)

Complete Address Street Apt # or P.O. Box

City State ZIP  
( ) ( )

Daytime Telephone Evenings

**Optional Information:**

Year & Model of Pictured Pontiac Title of Entry

Type of Camera, Lens and Film Date, Location of Photo

APPLY ENTRY REBATE TO: Central Ch. 3

**ELIGIBILITY:** Any Pontiac enthusiast, regardless of club affiliation, is encouraged to submit an entry.

**ENTRY FEE:** A \$5.00 per photo entry fee is required for EACH entry.

**LIMIT:** There will be a maximum limit of (3) entries allowed per person.

**DEADLINE:** All mailed entries must be postmarked by October 15, 1992, and received by the Contest Coordinator by October 20, 1992 to be eligible. (Entries received after this date may be returned unopened at the discretion of the Contest Coordinator). Any individual attending the convention may submit an entry as late as 9:00am on October 31, 1992 at the Convention registration desk. (Please Note: This is a "Pre-Registration ONLY" Convention! No on-site registration is available for those wishing to enter their Pontiac or Oakland in the car show. For information on convention registration, please contact Victor Alto, Pontiac Legends Registrar, at (602) 742-1700.

**PHOTO CONTEST ENTRIES SHOULD BE MAILED TO:**

**Scott Parker, HPP Photo Contest  
4700 North Kolb Road #7113  
Tucson, AZ 85715**

(Do not send cash! Check/money order should be payable to "AZ.POCI") Be sure to include a self-addressed, stamped envelope with your entry if you wish to have your entry returned (see "PHOTO RETURNS"). It is recommended that entrants package their entry FLAT, together with a thick, non-bending cardboard piece slightly larger than the enclosed entry(s).

**QUESTIONS:** Contact Contest Coordinator Scott Parker at (602) 299-5002.

**LABELLING:** All entries must have a label firmly attached to the back of each entry with the following information:

**REQUIRED INFORMATION ON LABEL:**

- Photographer's (Entrant's) Name
- Complete Address
- Daytime & Evening Telephone Number(s)

**ENTRY/RELEASE FORM:** To enter, please complete the attached entry form. Make photocopies if you have more than one entry.)

Please note that some certain information is required, while other information is optional. The Entry Form and Release MUST be signed.

**SUBJECT LIMITATION:** There is no restriction as to the subject content of an entry, but it must relate somehow to Pontiac automobiles.

**ACCEPTED FORMATS:** Any photographic PRINT is acceptable: 35mm, Polaroid, color, black & white, etc. Transparencies WILL NOT be accepted, nor will photos reproduced by Xerography or offset printing (a page from a magazine, for instance).

**RESTRICTIONS:** Size: Prints may be as small as 3x4" (Polaroid size), up to a maximum of 8"x12", unmounted.

**Matting:** Display mats of any kind and style are not permitted.

**Framing:** Framing of any kind and style is not permitted. Please do not send your mats and frames!

**JUDGING:** Contest judging will be done by the staff of HPP together with members of the Arizona Chapter POCI's Photo Contest Committee. All entries will be on display for judging between the hours of 10:00am & 5:00pm on Saturday, October 31st, 1992 at the Pontiac Legends at London Bridge convention headquarters, the Ramada London Bridge Resort in Lake Havasu City, AZ. Judges will use any or all of the following criteria when judging entries: Composition, Format, Quality, Subject, Originality, and Creativity. Winners will be announced during the Convention Awards Banquet later that evening.

**PRIZES:** Grand Prize Winner... \$100 cash prize plus a one year subscription to High Performance Magazine.  
Second Prize Winner... \$50 cash prize plus one year subscription.  
Third Prize Winner... \$25 cash prize plus one year subscription.  
Fourth Prize Winner... One year subscription.  
Editor's Choice... Ribbon plus one year subscription.  
People's Choice... Ribbon plus one year subscription.  
All winning photos will be published in a future issue of HPP. Additional "juried award" winners will each receive an Honorable Mention and ribbon.

Only one prize per entrant allowed.

**PHOTO RETURNS:** Entries may not be reclaimed until officially released by the Contest Coordinator. At contest end, all entries hand-delivered to the convention must be reclaimed by 12 Noon, November 1, 1992. All non-winning, mailed entries will be promptly returned to each entrant, provided that the entrant has supplied with his or her entry(s) a self-addressed, stamped envelope of suitable size and with sufficient postage affixed. Any entry not claimed by November 30, 1992, will be destroyed. (Winning entries will be forwarded to HPP editorial offices for reproduction in a future issue.) Entrants' original packing material may not necessarily be utilized for photo returns.

**DISCLAIMER:** The staff and directors of High Performance Pontiac Magazine and CSK Publishing, Inc., the members, directors, and officers of the Arizona Chapter of the Pontiac-Oakland Club, International and its parent organization, the Pontiac-Oakland Club, International, and the staff, management, and directors of the Ramada London Bridge Resort, cannot be held responsible for lost or misdirected entries. Furthermore, the above named entities cannot be held responsible for theft of or accidental damage to entries at any time prior to, during, and after the contest. Entry in this contest constitutes a willingness on behalf of the entrant to accept the above terms and conditions. Entrants must sign the Release on the Official Entry Form acknowledging these conditions. The Release will grant High Performance Pontiac magazine and CSK Publishing Company, Inc. the right to publish the contest-winning entries. The entrant, through the instrument of his or her signature, shall certify that all entries submitted are free from any copyright restrictions and limitations.



OHIO  
DEPARTMENT OF HIGHWAY SAFETY  
BUREAU OF MOTOR VEHICLES

P.O. BOX 16520 COLUMBUS, OHIO 43266-0020

GEORGE V. VOINOVICH  
GOVERNOR

MIKE DeWINE  
LT. GOVERNOR

CHARLES D. SHIPLEY  
DIRECTOR

MITCHELL J. BROWN  
REGISTRAR

Dear Applicant:

This is in response to your request for information concerning model year historical license plates.

Section 4503.19 of the Ohio Revised Code requires that upon application for registration of a vehicle and the payment of the proper tax, the Registrar shall assign a "distinctive number" to a motor vehicle. Most model-year plate numbers are likely to be duplicates of numbers already issued during the current year and therefore not a distinctive number as required by this law. Not only would such duplication not be in compliance with the law, it would also cause confusion with the computerized law enforcement identification system.

Therefore, the following procedure has been adopted by the Bureau of Motor Vehicles to begin the immediate implementation of H.B. 165 while allowing compliance with Section 4503.19 of the Ohio Revised Code.

1. The qualified applicant applies for and receives a regular historical plate.
2. Those who desire to display a model-year plate will locate and obtain a suitable plate by their own means.
3. The applicant must submit a copy of the "model year" license plate and a copy of the Historical license registration card or Certificate of Title for the vehicle.
4. The applicant will also file a notarized affidavit with the Special Plates Division, Bureau of Motor Vehicles in person or by mail, describing the year and number of the plate and guaranteeing that the plate is legible and serviceable.

5. The applicant may display the model-year plate when it has been registered with the Bureau of Motor Vehicles, but must retain the distinctive historical plate and registration card in the vehicle and available on demand at all times by a law enforcement officer.

When the required documentation is received, a model year historical registration will be completed and mailed to you. A model year license plate should not be displayed on an historical vehicle until the model year historical registration is received by the applicant.

However, if you have not obtained an historical registration for your vehicle, the application for a regular historical registration and model year historical registration may be submitted at the same time.

Please note: Any documents previously submitted are being returned to you so they may be resubmitted as referenced above.

If you have any questions, please contact:

The Bureau of Motor Vehicles  
Special Plates Division  
P.O. Box 16521  
Columbus, OH 43266-0021  
Telephone 614-752-7800



HISTORICAL "MODEL YEAR" LICENSE PLATE  
AFFIDAVIT

STATE OF OHIO  
COUNTY OF \_\_\_\_\_

NAME \_\_\_\_\_ STREET \_\_\_\_\_ CITY \_\_\_\_\_ OHIO

I am the owner of the below listed historical vehicle which **HAS BEEN** or **WILL BE** (circle one) registered with a regular State of Ohio Historical license plate. I am requesting that the below listed model year license plate number be registered to this historical vehicle. I understand that the original historical registration card and historical license plates must be carried in the vehicle at all times and shown upon request from a law enforcement officer.

CURRENT HISTORICAL PLATE # \_\_\_\_\_ (LEAVE BLANK IF PLATE IS TO BE ISSUED)

MODEL YEAR PLATE # \_\_\_\_\_ PLATE COLOR \_\_\_\_\_ LETTER / NUMERAL COLOR \_\_\_\_\_

YEAR \_\_\_\_\_ MAKE \_\_\_\_\_ MODEL \_\_\_\_\_

SERIAL # \_\_\_\_\_ COLOR OF VEHICLE \_\_\_\_\_ 2 OR 4 DOORS \_\_\_\_\_

I certify that the model year license plate listed above is serviceable and legible. I am aware that I may not display the "model year" plate until I receive the registration card for the "model year" plate

SIGNATURE \_\_\_\_\_

Sworn to before me and signed in my presence this \_\_\_\_\_ day of \_\_\_\_\_, 19 \_\_\_\_\_

NOTARY PUBLIC \_\_\_\_\_

S E A L

MY COMMISSION EXPIRES \_\_\_\_\_, 19 \_\_\_\_\_

-----  
INSTRUCTIONS

To register your vehicle with a "model year" plate, the "model year" plate must be an Ohio license plate and must be the same year as the vehicle. You must submit a copy of the registration card for the historical license plate, a photostatic copy of the "model year" license plate and this notarized affidavit. NO FEES ARE REQUIRED.

If your vehicle is not currently displaying an historical license plate, contact the Bureau of Motor Vehicles renewal registration hot line 1-800-589-8247 and leave a message requesting an historical license plate application, or call 1-614-752-7800.



THE ARTHRITIS FOUNDATION AUTO SHOW WAS ATTENDED BY ELEVEN CLUB MEMBERS. FRANK BLOCK (WHITE 65) AND BILL BARTON (RED 68) PLACED THEIR GTO'S IN THE GM OPEN CLASS. FRANK WALKED OFF WITH A FIRST PLACE. FRAN NICHOL (RED 67) SHOWED HIS GTO IN THE GM CLOSED CLASS. JEFF FRAZIER (WHITE 66), GUY SAWYER (WHITE 70 JUDGE) AND ANDY RUSSELL (BLUE 64) PLACED THEIR GTO'S IN THE MUSCLE CAR DIVISION. RON AND DONNA LANDIS, RICHARD AND NANCY WHALEY AND ANDY SYRKIN ALSO ATTENDED.

SUBMITTED BY: BILL BARTON



(614) 335-5133

PROMPT  
PROFESSIONAL  
SERVICE

**Refrigeration Specialists**

- COMMERCIAL • HEATING • AIR CONDITIONING
- COMMERCIAL REFRIGERATION •

MICHAEL D. GRAY  
Owner

5029 ST. RT. 41 NW  
WASHINGTON, C. H., OHIO 43160



Five generations of fine printing

**Inskeep  
Brothers, Inc.  
Printers**

Jeffrey K. Inskeep

3193 E. Dublin-Granville Road  
Columbus, Ohio 43231  
614/898-6620

Plant  
1212 E. Hudson Street  
Columbus, Ohio 43211

(614) 474-4614  
Call for an Appointment

Rust Free Parts and Cars  
Bought and Sold



DAN GREGORY

11283 Main Street  
Stoutsville, Ohio 43154



**INSURANCE AGENCY**

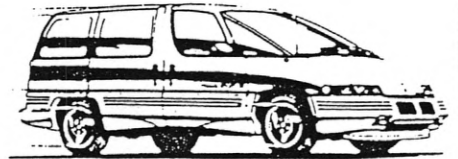
RICHARD L. WHALEY  
NANCY A. WHALEY

25 E. COLUMBUS ST.  
LITHOPOLIS, OHIO 43136

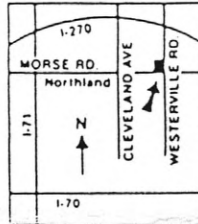
PHONE  
614/837-4416

**DENNIS  
PONTIAC**

- SALES
- SERVICE
- PARTS • LEASING
- BODY SHOP



Mr. Goodwrench



**471-2900**

2900 MORSE RD.



**Paw Prints**

Jim Evans  
13791 Cable Road  
Pataskala, OH 43062  
614/927-5302



COLUMBUS OHIO 43216 #3

